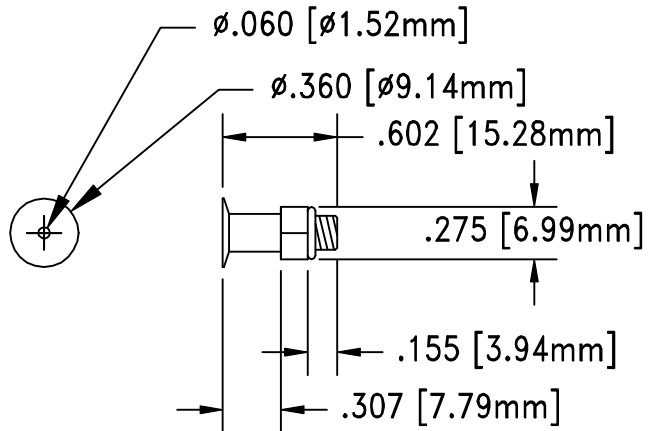
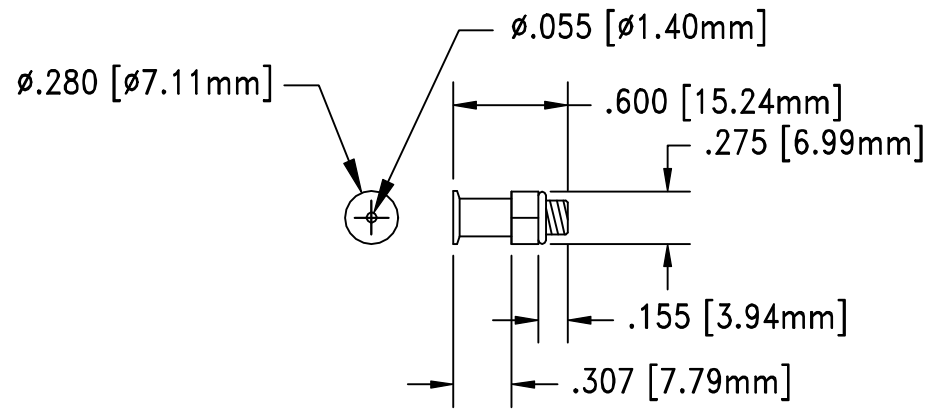
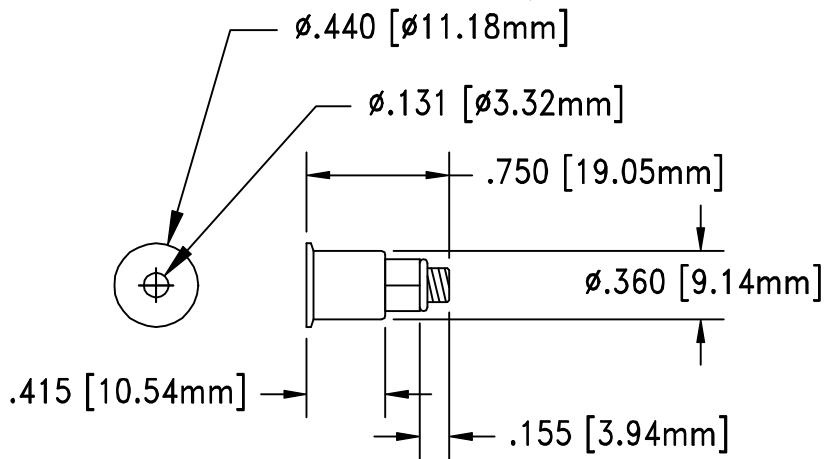
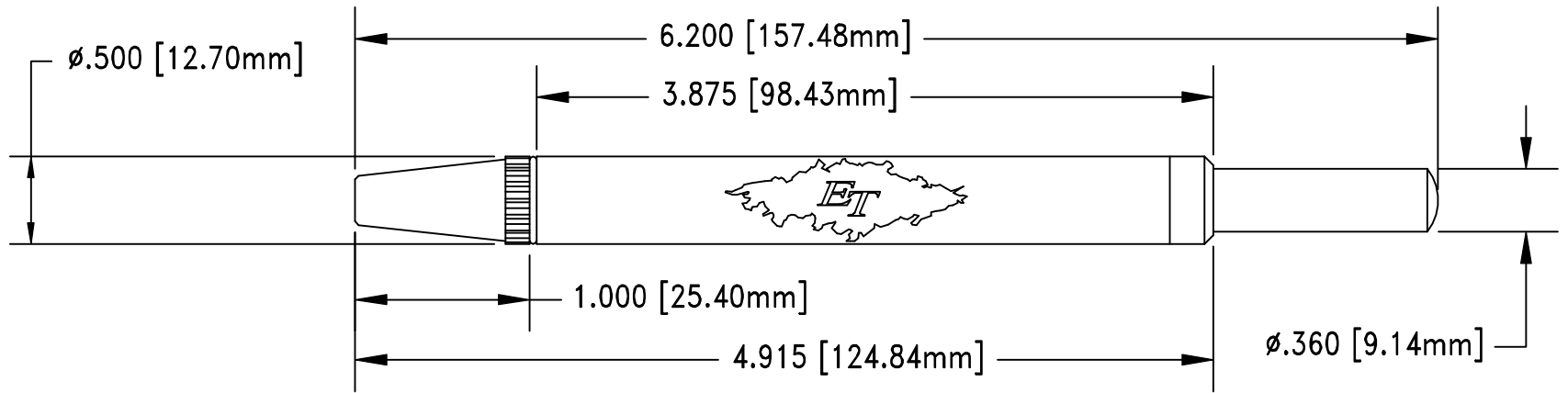



REV	DESCRIPTION	DATE	INIT
A	NEW DRAWING	05-02-02	M.D.

F6642
DOD 36642



ALL DIMENSIONS ARE IN INCHES UNLESS OTHERWISE SPECIFIED



Emulation Technology, Inc.
-VLSI and SMT ADAPTERS and ACCESSORIES-
www.emulation.com

2344 Walsh Ave, Bldg. F Santa Clara, CA 95051
TEL: (408) 982-0660
FAX: (408) 982-0664

SHEET: 1 OF 1	DATE: 05-02-02	REVISION:	ASSEMBLY DRAWING
CHECKED: PERRY MONROE	DRAWN: MIGUEL DELGADILLO	ITEM: P/N-100	
DO NOT SCALE DRAWING			DESCRIPTION: P/N-100